

USER MANUAL

For Model A73

For the User

- Your safety
- Description
- Instructions for use

For the Installer

- Safety information
- Installation
- Troubleshooting

COOKER HOOD



Contents

From the manufacturer.....	1
----------------------------	---

FOR THE USER

1. Your safety	
Warning	1
Installation.....	2
During use.....	2
Cleaning, Maintenance & Service.....	2
Electric Cord.....	3
2. Description	
Main parts.....	3
Ducted or Re-circulating mode.....	4
Speed Control.....	4
3. Instructions for use	
Touch Control Panel.....	4
Cleaning & Maintenance.....	5
4. Installation.....	5
Dimension chart.....	7

FOR THE INSTALLER

5. Safety Information.....	8
6. Troubleshooting.....	9

From the Manufacturer

Please read this user manual carefully before attempting to operate the appliance and store it in a safe place for future reference.

This appliance and its packaging are produced by processes that minimize waste and respect the environment.

Please help us to continue this effort to protect the environment by using the appliance efficiently and dispose of the packaging in a responsible manner.

FOR THE USER

1. Your safety

Warning



PLEASE READ THIS SECTION THOROUGHLY BEFORE ATTEMPTING TO OPERATE THE APPLIANCE

1. There shall be adequate ventilation of the room when the range hoods is used at the same time as appliances burning gas or other fuels (not applicable to appliances that only discharge the air back into the room).
2. There is a fire risk if cleaning is not carried out in accordance with the instructions.
3. Do not flambé under the range hood.
4. The air must not be discharged into a flue that is used for exhausting fumes from appliances burning gas or other fuels (not applicable to appliances that only discharge the air back into the room).
5. This appliance is not intended for use by persons (including children) with reduced physical, sensory or mental capabilities, or lack of experience and knowledge, unless they have been given supervision or instruction concerning use of the appliance by a person responsible for their safety. Children should be supervised to ensure that they do not play with the appliance.
6. Air exhausted must be accordant with local laws.
7. Accessible parts may become hot when used with cooking appliances.

6. Troubleshooting

Symptoms	Possible Cause	Action
Doesn't start	No electrical supply	Check that the main switch is turned on
		Check that the plug is connected
Poor airflow	Aluminum grease filters clogged	Clean the filters and replace when dry
	Charcoal grease filters clogged	Replace charcoal filters with new sets
Motor running but no airflow	Butterfly valve jammed	Contact technician
Motor cuts after a few minutes	High temperature safety device activated	The kitchen is not sufficiently ventilated
	The hood is installed too near the cooking stove	The hood must be at least 65cm from stove
Strong cooking smell	Charcoal filters are not installed	Charcoal filters must be installed in re-circulating mode
Oil dripping onto stove	Oil cup missing or not installed	Remove aluminum filter and replace oil cup
	Aluminium grease filter saturated	Wash the aluminium grease filters
Whirring sound	Foreign object in contact with fan blade	Contact technician

Installation

This appliance must be installed or repaired by a qualified technician only.

It is dangerous to modify any part of this appliance.

The manufacturer declines all responsibility in case of failure to adopt proper safety measures.

Ensure the location in which this appliance is installed has good, permanent ventilation.

In ducted mode, there must be one or more permanent air inlet. The air collected must not be discharged into a duct used to blow off smoke from other appliances fed with electricity.

The distance between the bench to the lower part of the hood must not be less than 65cm.

Use an electrical connector with earth that is correct for your location.

Check that the voltage in your area correspond to the appliance as indicated on the rating label.

Do not connect the hood to a duct that carries combustion fumes (e.g. fireplace).

During use

This product is designed for household use only and should never be used for commercial applications.

After use, always ensure that all controls are in the "OFF" position.

When frying with a gas flame, take particular care not to allow the oil or grease in the pan to catch fire.

Cleaning, Maintenance & Service

Clean the grease filters often (at least once monthly). Heavy oil deposits is a fire hazard. Hood surface should be cleaned with soft cloth and non-corrosive detergent.

Important: Never attempt to repair this appliance by yourself. Always refer to qualified Service Technicians.

For your safety, insist on original parts.

Always switch off the electricity and unplug the connection before conducting maintenance or cleaning.

Electric Cord

Ensure the supply cord is not exposed to heat, chemicals or sharp objects.

If the supply cord is damaged, it must be replaced by the manufacturer or its service agent or a similarly qualified person in order to avoid a hazard.

2. Description

Main parts

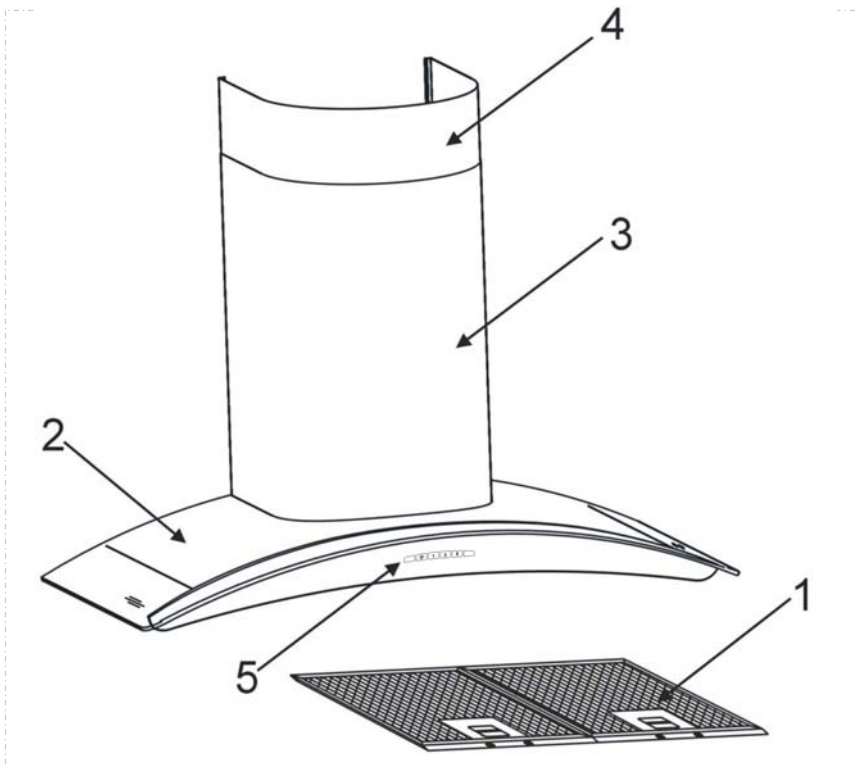
1.Aluminum Filter

2.Canopy

3.Main flue

4.Extension flue

5.Touch control



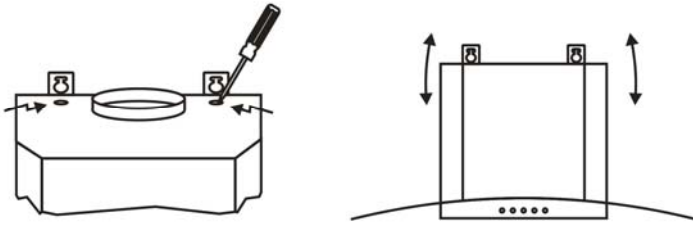
FOR THE INSTALLER

5. Safety Information

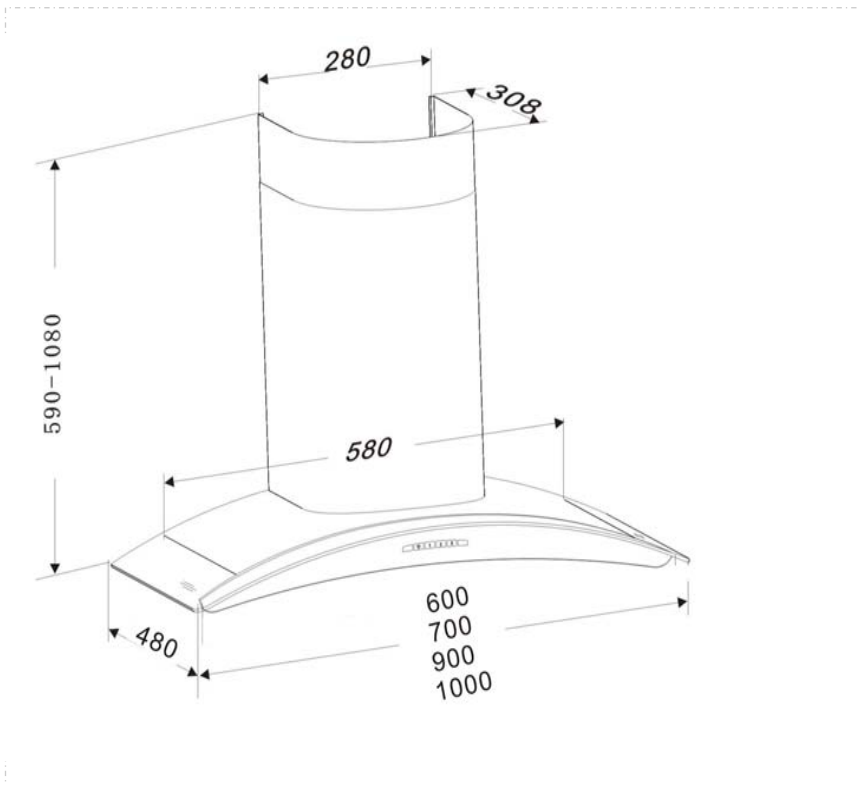
REMOVAL OR MODIFICATIONS TO THE APPLIANCE, ELECTRIC WIRE OR PLUG, VOIDS THE WARRANTY.

Leveling Device

When mounting the hood on the wall, the level can be adjusted by turning the two screws on the motor housing.



Dimension chart



Ducted or Re-circulating mode

Depending on your requirement, this appliance can be configured to operate in the ducted or re-circulating modes.

DUCTED MODE: Fire proof ducting system of 150mm diameter vent the fumes through a suitable outlet. In the ducted mode, only the aluminum grease filters are installed.

RECIRCULATING MODE: Fumes are filtered for grease and odour through the aluminum grease filters and the charcoal filters respectively and re-introduced into the kitchen environment. In re-circulating mode, both the aluminum grease filters and the charcoal filters should be installed.

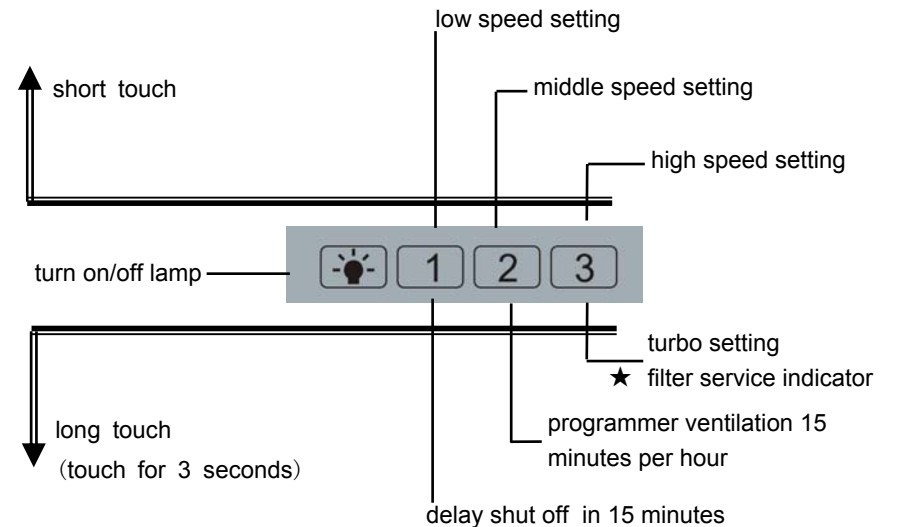
Speed Control

The hood is equipped with a 3 or 4 speed mechanical/electronic control.

Use the low speed for simmering, medium speed for light cooking. Use the high speed for frying or heavy cooking.

3. Instructions for use

Touch Control Panel



Cleaning & Maintenance



REMOVAL OR MODIFICATIONS TO THE APPLIANCE,
ELECTRIC WIRE OR PLUG, VOIDS THE WARRANTY

SURFACES:

Wash with warm soapy water and a soft sponge. Never use abrasive detergent, scouring pads, steel wool or solvents on any part of this appliance as this will cause irreparable damage.

ALUMINIUM GREASE FILTERS:

Wash in the dishwashers or soak the panels in a degreasing agent for an hour, then rinse off and dry before re-installing.

CHARCOAL FILTERS:

(only in re-circulating model): Charcoal cannot be reused. They must be replaced with the appropriate types once a year or depending on the frequency of appliance usage.

For this appliance to function effectively, regular maintenance is a must.

Clogged filters restrict airflow and may cause the motor to overheat.

4. Installation

Use suitable bolts to mount the appliance on a secure surface.

The minimum distance between the bench top and the lowest part of the hood must be not less than 65cm.

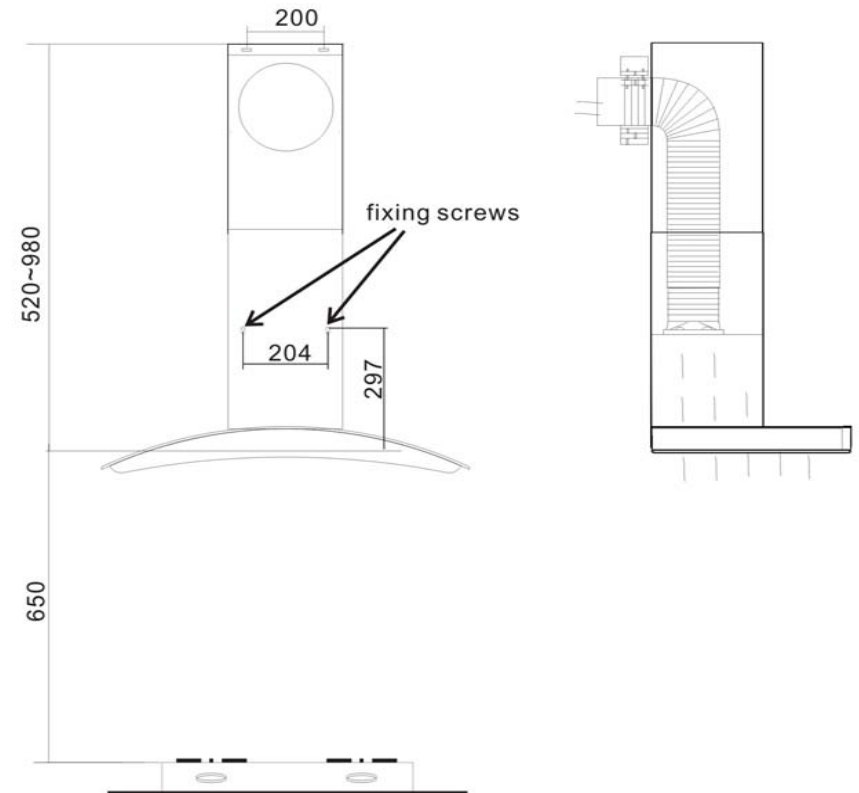
The location of the installation must have permanent openings for ventilation.

Regulations concerning the discharge of air have to be fulfilled.

It is strongly recommended that the hood be installed right over the exhaust air from cooking.

It is better not to install the outlet of the pipe in the wind direction, which can prevent the exhaust air from flowing backwards.

Fasten the components for the exhaust outlet with screws. To ensure good ejection of exhaust air, the pipe must not be bended for too many times.



The four hob elements were used the appliance at most.

Every hood has two fixing screws to firmly fix the hood in its place.